

# CD

## SINGLE IMPELLER CENTRIFUGAL ELECTRIC PUMPS

in AISI 304



Single impeller centrifugal electric pumps made entirely of AISI 304 stainless steel.

### APPLICATIONS

- Domestic pressure boosting
- Small-scale garden irrigation
- Washing
- Treating water
- Cooling towers
- Pumping clean water in general

### TECHNICAL DETAILS

- Sturdy hydraulic frame
- Small dimensions

### PUMP TECHNICAL DATA

- Maximum working pressure: 8 bar
- Maximum temperature of the liquid:
  - 5°C ÷ +60°C for CD, CDE, Q1AEGG, VAEGG, U3U3EGG, Q1U3EGG and U3CEGG 70/05-70/07-90/10 models
  - 5°C ÷ +90°C for the rest of the CD range
  - 5°C ÷ +110°C for the H, HS, HW, HSW version
  - 5°C ÷ +120°C for the rest of the CDE range and for the Q1AEGG, VAEGG, U3U3EGG, Q1U3EGG and U3CEGG versions
- G1½ suction connection for CD 200, G1¼ for the rest of the range
- G1 discharge connection
- MEI > 0.4

For further information please see our Technical Data Sheet on the web site [www.ebara-europe.com](http://www.ebara-europe.com)

### MOTOR TECHNICAL DATA

- IE3 high energy-efficiency motors starting from 0.75kW
- 2-pole self-ventilated enclosed fan-cooled asynchronous motor
- Class of insulation F
- IP55 protection degree
- 230V ± 10% 50 Hz single phase voltage, 230/400V ± 10% 50Hz three phase voltage
- Permanent capacitor inserted and thermo-amprometric protection with automatic rearm incorporated for the single phase motor
- Protection under user's responsibility for the three phase version

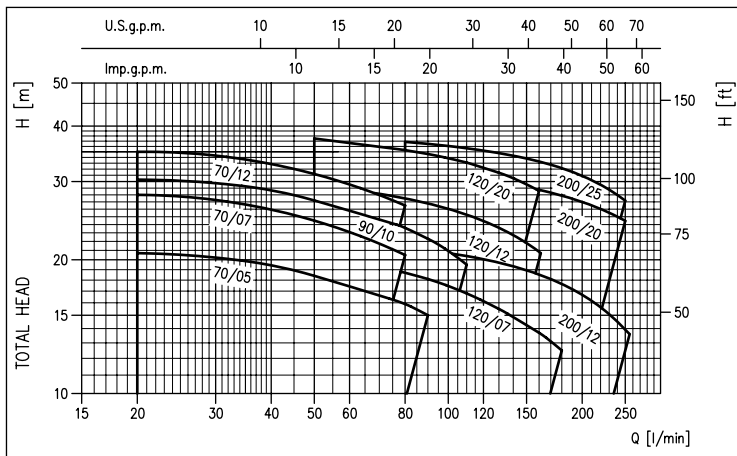
### MATERIALS

- Pump casing, impeller, diffuser, seal housing disc, bracket, motor case and fan cover in EN 1.4301 (AISI 304)
- Mechanical seal in:
  - Ceramic/Carbon/NBR (standard)
  - special versions: see p. 8
- Shaft in AISI 303 (part in contact with the liquid)

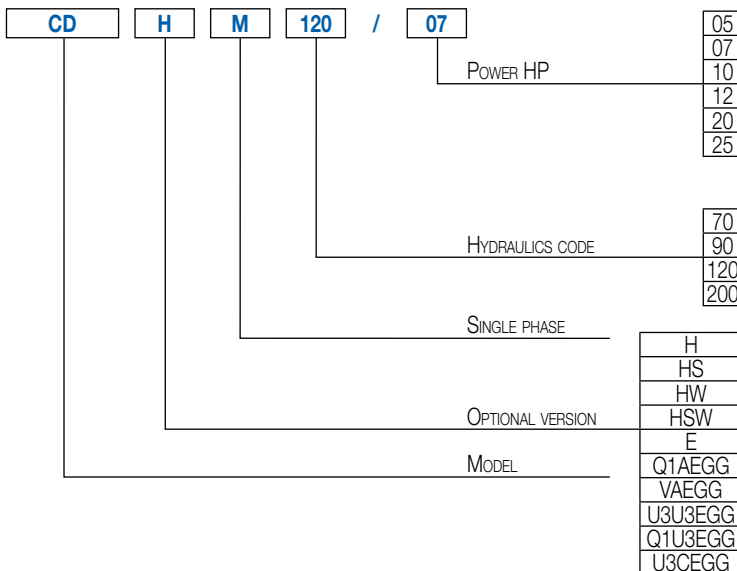
### ACCESSORIES (On request)

- Electric panels
- Vessels
- Floats
- Pressure switches
- Presscomfort - Pressure regulator
- E-power - Variable speed control system
- E-drive - Variable speed control system

### PERFORMANCE RANGE (according to ISO 9906 Attachment A)



### IDENTIFICATION CODE





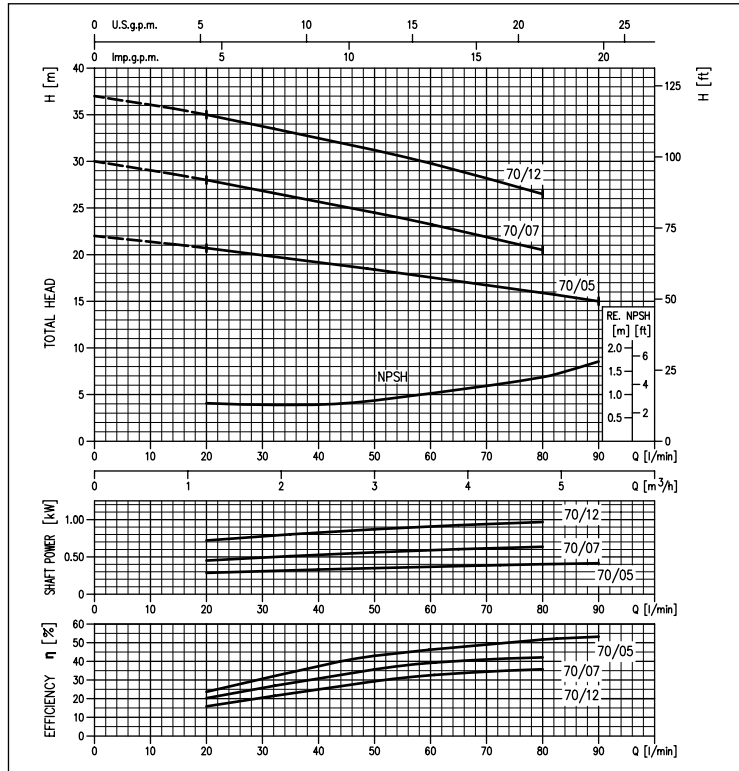
CD

**SINGLE IMPELLER CENTRIFUGAL ELECTRIC PUMPS**

in AISI 304

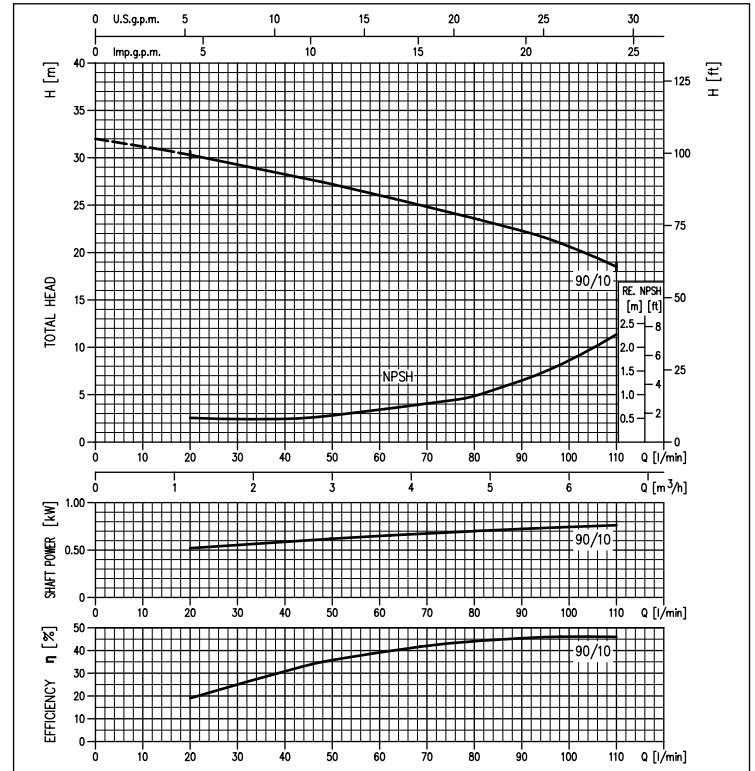
**PERFORMANCE CURVES CD 70 series**

(according to ISO 9906 Attachment A)



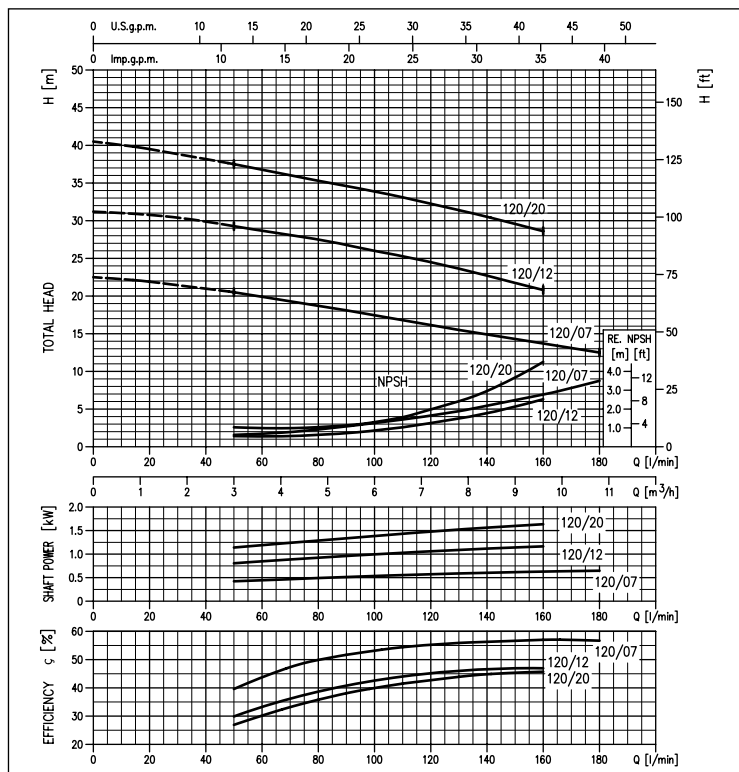
**PERFORMANCE CURVES CD 90 series**

(according to ISO 9906 Attachment A)



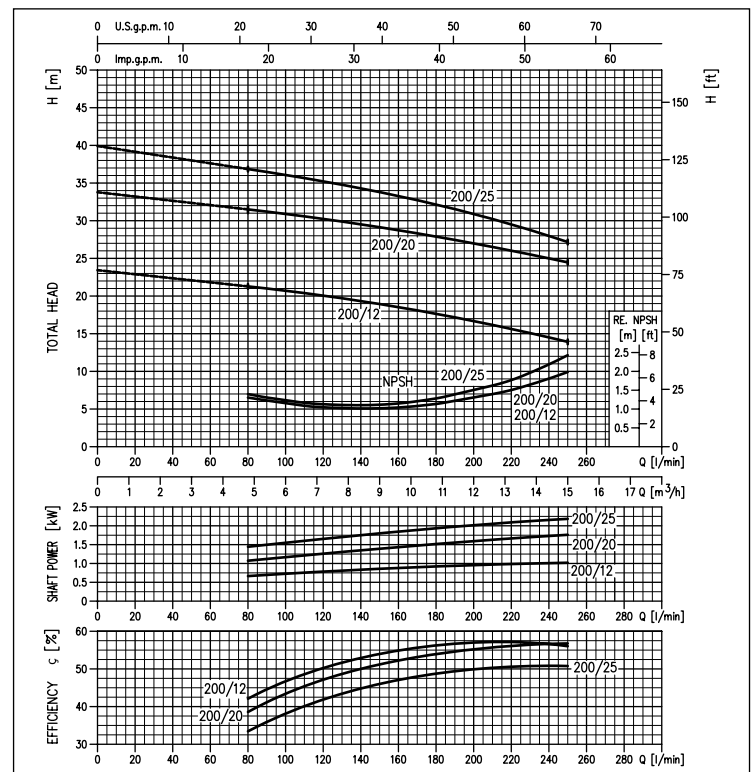
**PERFORMANCE CURVES CD 120 series**

(according to ISO 9906 Attachment A)



**PERFORMANCE CURVES CD 200 series**

(according to ISO 9906 Attachment A)



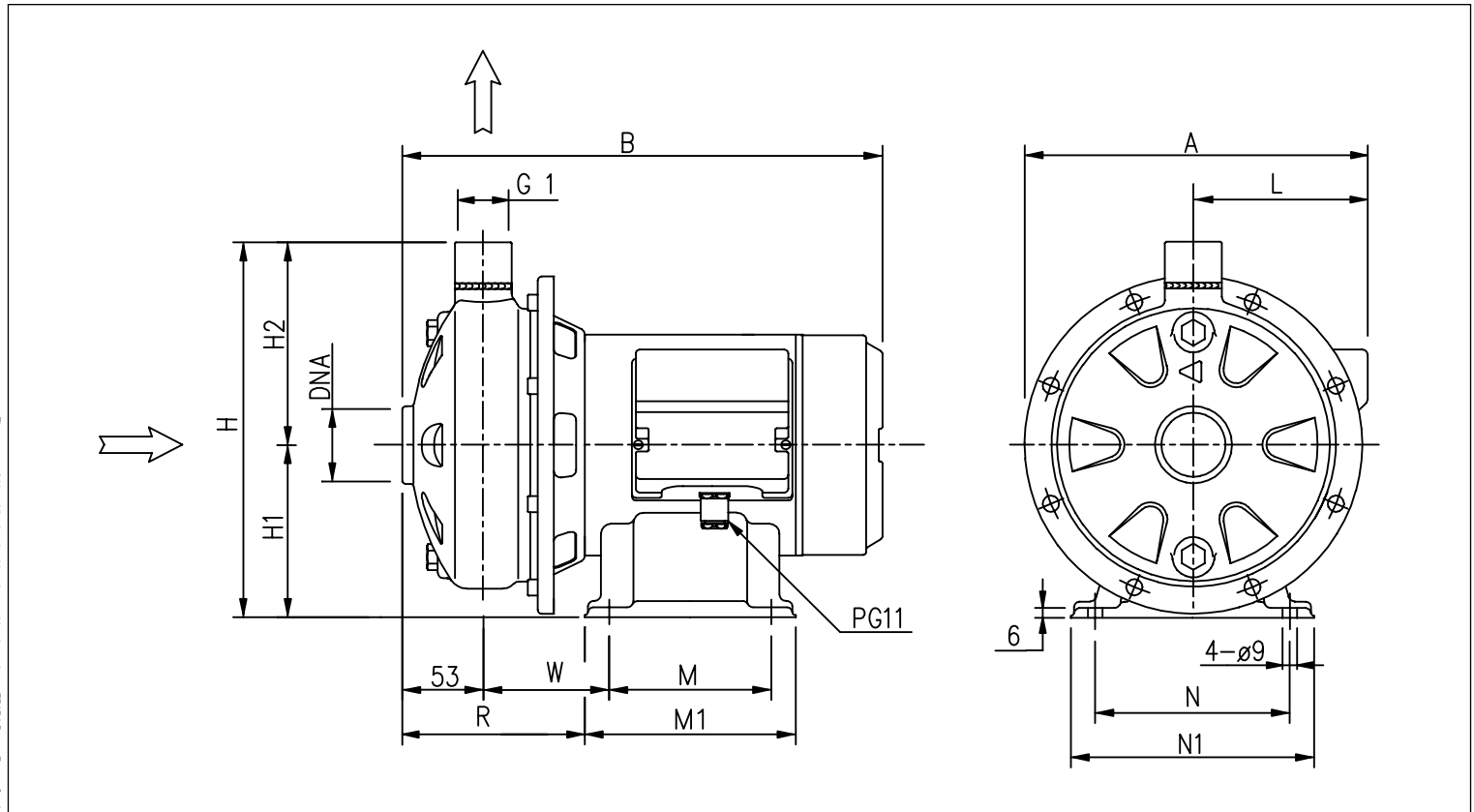
## SINGLE IMPELLER CENTRIFUGAL ELECTRIC PUMPS

in AISI 304

### PERFORMANCE CHART

| Model                |                         | P <sub>2</sub> |      | Q = Flow Rate              |           |         |           |           |            |            |            |             |             |           |
|----------------------|-------------------------|----------------|------|----------------------------|-----------|---------|-----------|-----------|------------|------------|------------|-------------|-------------|-----------|
| Single phase<br>230V | Three phase<br>230/400V | [HP]           | [kW] | l/min<br>m <sup>3</sup> /h | 20<br>1.2 | 50<br>3 | 80<br>4.8 | 90<br>5.4 | 110<br>6.6 | 130<br>7.8 | 160<br>9.6 | 180<br>10.8 | 210<br>12.6 | 250<br>15 |
|                      |                         |                |      | H=Head [m]                 |           |         |           |           |            |            |            |             |             |           |
| CDM 70/05            | CD 70/05                | 0.5            | 0.37 | 20.7                       | 18.4      | 15.9    | 15.0      | -         | -          | -          | -          | -           | -           | -         |
| CDM 70/07            | CD 70/07                | 0.8            | 0.55 | 28.0                       | 24.5      | 20.5    | -         | -         | -          | -          | -          | -           | -           | -         |
| CDM 70/12            | CD 70/12                | 1.2            | 0.9  | 35.0                       | 31.2      | 26.5    | -         | -         | -          | -          | -          | -           | -           | -         |
| CDM 90/10            | CD 90/10                | 1              | 0.75 | 30.3                       | 27.2      | 23.6    | 22.3      | 19.5      | -          | -          | -          | -           | -           | -         |
| CDM 120/07           | CD 120/07               | 0.8            | 0.55 | -                          | 20.5      | 18.7    | 18.1      | 16.8      | 15.5       | 13.7       | 12.5       | -           | -           | -         |
| CDM 120/12           | CD 120/12               | 1.2            | 0.9  | -                          | 29.3      | 27.5    | 26.8      | 25.2      | 23.6       | 21.0       | -          | -           | -           | -         |
| CDM 120/20           | CD 120/20               | 2              | 1.5  | -                          | 37.5      | 35.3    | 34.6      | 33.1      | 31.4       | 28.6       | -          | -           | -           | -         |
| CDM 200/12           | CD 200/12               | 1.2            | 0.9  | -                          | -         | 21.3    | 21.0      | 20.4      | 19.7       | 18.5       | 17.6       | 16.0        | 14.0        | -         |
| CDM 200/20           | CD 200/20               | 2              | 1.5  | -                          | -         | 31.5    | 31.2      | 30.6      | 30.0       | 28.7       | 27.9       | 26.5        | 24.5        | -         |
| -                    | CD 200/25               | 2.5            | 1.8  | -                          | -         | 36.8    | 36.5      | 35.6      | 34.7       | 33.3       | 32.0       | 30.0        | 27.2        | -         |

### DIMENSIONS



### DIMENSIONAL TABLE

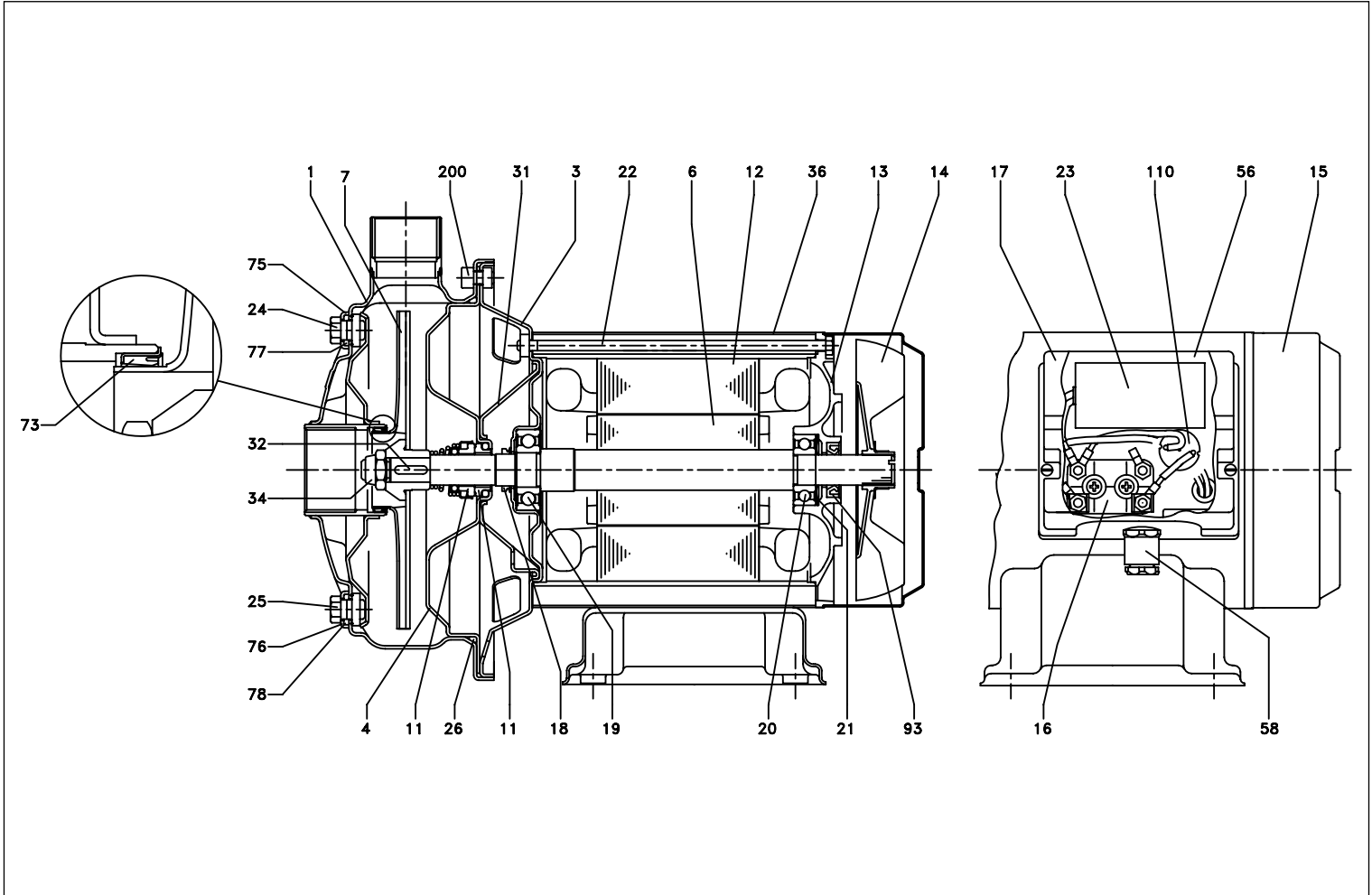
| Modello      | Dimensioni [mm] |         |         |         |       |     |       |         |         |         |         |         |         |     |     |       | Peso [kg] |     |      |      |
|--------------|-----------------|---------|---------|---------|-------|-----|-------|---------|---------|---------|---------|---------|---------|-----|-----|-------|-----------|-----|------|------|
|              | A               |         | B       |         | H     | H1  | H2    | L       |         | M       |         | M1      |         | N   | N1  | R     | W         | DNA | [2]  | [1]  |
| CD(M) 70/05  | [2] 209         | [1] 208 | [2] 298 | [1] 298 | 229.5 | 106 | 123.5 | [2] 105 | [1] 104 | [2] 100 | [1] 100 | [2] 130 | [1] 130 | 120 | 150 | 115.5 | 77.5      | G1¼ | 8.7  | 8.7  |
| CD(M) 70/07  | [2] 209         | [1] 208 | [2] 298 | [1] 298 | 229.5 | 106 | 123.5 | [2] 105 | [1] 104 | [2] 100 | [1] 100 | [2] 130 | [1] 130 | 120 | 150 | 115.5 | 77.5      | G1¼ | 10.0 | 10.0 |
| CD(M) 70/12  | [2] 208         | [1] 208 | [2] 328 | [1] 338 | 229.5 | 106 | 123.5 | [2] 104 | [1] 104 | [2] 100 | [1] 100 | [2] 130 | [1] 130 | 120 | 150 | 130.5 | 92.5      | G1¼ | 13.2 | 13.7 |
| CD(M) 90/10  | [2] 209         | [1] 208 | [2] 328 | [1] 328 | 229.5 | 106 | 123.5 | [2] 105 | [1] 104 | [2] 100 | [1] 100 | [2] 130 | [1] 130 | 120 | 150 | 130.5 | 92.5      | G1¼ | 11.5 | 11.6 |
| CD(M) 120/07 | [2] 209         | [1] 208 | [2] 298 | [1] 298 | 229.5 | 106 | 123.5 | [2] 105 | [1] 104 | [2] 100 | [1] 100 | [2] 130 | [1] 130 | 120 | 150 | 115.5 | 77.5      | G1¼ | 10.0 | 10.5 |
| CD(M) 120/12 | [2] 208         | [1] 208 | [2] 328 | [1] 338 | 229.5 | 106 | 123.5 | [2] 104 | [1] 104 | [2] 100 | [1] 100 | [2] 130 | [1] 130 | 120 | 150 | 130.5 | 92.5      | G1¼ | 12.3 | 12.9 |
| CD(M) 120/20 | [2] 232         | [1] 232 | [2] 356 | [1] 376 | 250   | 118 | 132   | [2] 116 | [1] 116 | [2] 120 | [1] 120 | [2] 150 | [1] 150 | 140 | 170 | 133   | 95        | G1¼ | 15.3 | 18.3 |
| CD(M) 200/12 | [2] 208         | [1] 208 | [2] 328 | [1] 338 | 229.5 | 106 | 123.5 | [2] 104 | [1] 104 | [2] 100 | [1] 100 | [2] 130 | [1] 130 | 120 | 150 | 130.5 | 92.5      | G1½ | 12.0 | 12.6 |
| CD(M) 200/20 | [2] 213         | [1] 213 | [2] 356 | [1] 376 | 229.5 | 106 | 123.5 | [2] 109 | [1] 109 | [2] 120 | [1] 120 | [2] 150 | [1] 150 | 140 | 170 | 133   | 95        | G1½ | 15.8 | 17.5 |
| CD 200/25    | -               | [2] 232 | -       | [1] 376 | 250   | 118 | 132   | -       | [1] 116 | -       | [1] 120 | -       | [1] 150 | 140 | 170 | 138   | 100       | G1½ | -    | 18.3 |

[1]= Three phase only  
[2]= Single phase only

## SINGLE IMPELLER CENTRIFUGAL ELECTRIC PUMPS

in AISI 304

### SECTIONAL VIEW



### TABLE OF MATERIALS

| Ref. | Name                 | Materials                                   | Ref. | Name                      | Materials             |
|------|----------------------|---|------|---------------------------|-----------------------|
| 1    | Pump casing          | EN 1.4301 (AISI 304)                        | 24   | Plug                      | EN 1.4301 (AISI 304)  |
| 3    | Motor bracket        | EN 1.4301 (AISI 304)                        | 25   | Plug                      | EN 1.4301 (AISI 304)  |
| 4    | Casing cover         | EN 1.4301 (AISI 304)                        | 26   | O-Ring [2]                | NBR                   |
| 6    | Shaft                | AISI 303<br>Part in contact with the liquid | 31   | Seal disc spacer          | EN 1.4301 (AISI 304)  |
| 7    | Impeller             | EN 1.4301 (AISI 304)                        | 32   | Key                       | AISI 316              |
| 11   | Mechanical seal      | Ceramic/Carbon/NBR                          | 34   | Impeller nut              | Stainless Steel A2-70 |
| 12   | Motor frame          | -   | 36   | Motor casing              | EN 1.4301 (AISI 304)  |
| 13   | Motor cover          | Aluminium                                   | 56   | Terminal box cover gasket | NBR                   |
| 14   | Fan                  | PA  | 58   | Cable input               | -                     |
| 15   | Fan cover            | EN 1.4301 (AISI 304)                        | 73   | Casing ring [3]           | NBR                   |
| 16   | Terminal Box         | -   | 75   | Washer                    | EN 1.4301 (AISI 304)  |
| 17   | Terminal Box cover   | PA66 reinforced with fibreglass             | 76   | Washer                    | EN 1.4301 (AISI 304)  |
| 18   | Seal ring            | NBR   | 77   | O-Ring [2]                | NBR                   |
| 19   | Bearing (pump side)  | -   | 78   | O-Ring [2]                | NBR                   |
| 20   | Bearing (motor side) | -   | 93   | Seal ring                 | NBR                   |
| 21   | Adjustment ring      | Steel C70                                   | 110  | Motor protector [1]       | -                     |
| 22   | Tie-rod              | Galvanised Fe 42                            | 200  | Screw (pump body)         | Stainless Steel A2-70 |
| 23   | Capacitor [1]        | -   |      |                           |                       |

[1]= Single phase only

[2]= FKM for CDH-CDHS-CDHW-CDHSW

EPDM for CDE, CD Q1AEGG, CD VAEGG, CD U3U3EGG, CD Q1U3EGG, CD U3CEGG

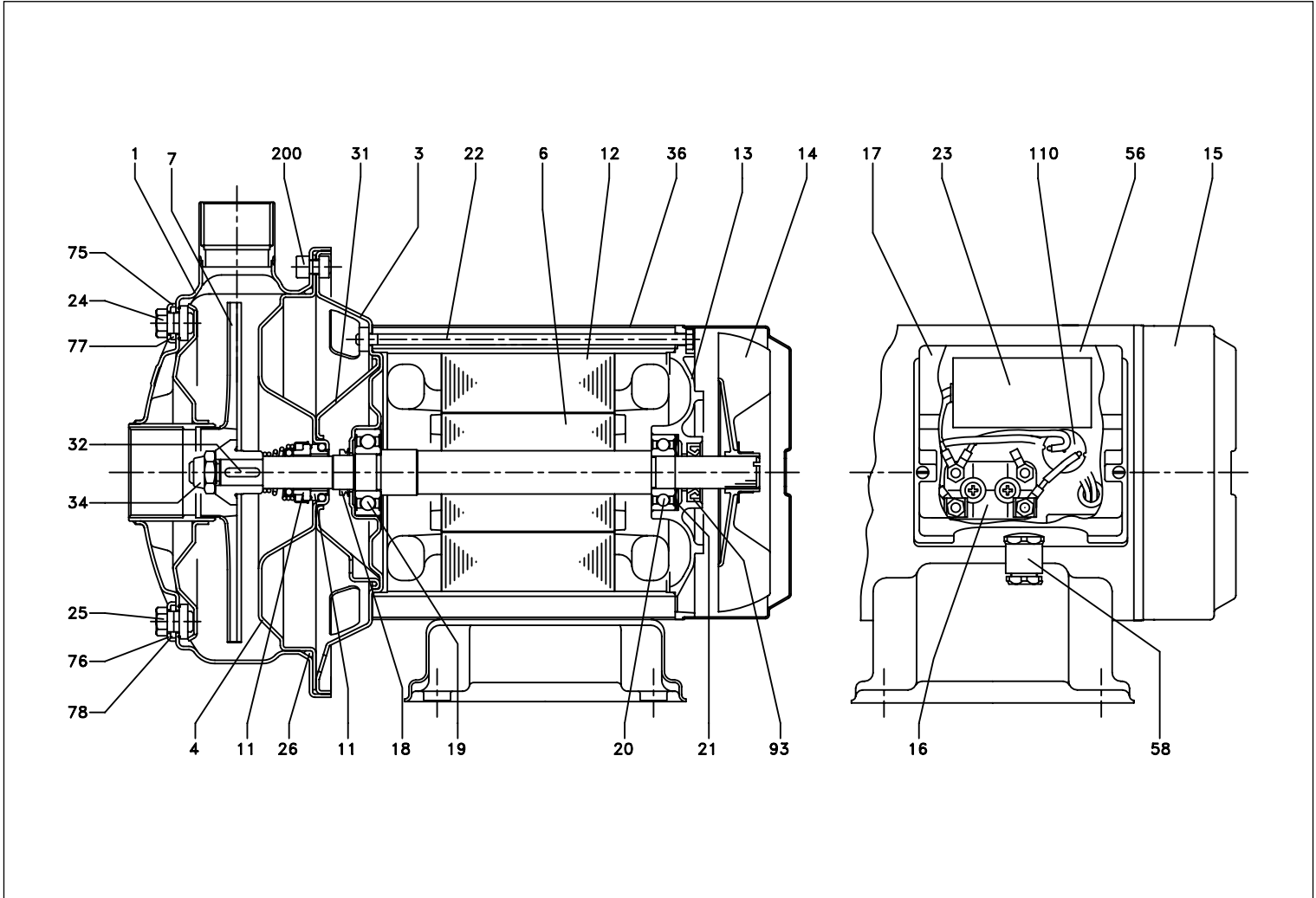
[3]= FKM for CDH-CDHS-CDHW-CDHSW

NBR for CDE, CD Q1AEGG, CD VAEGG, CD U3U3EGG, CD Q1U3EGG, CD U3CEGG

## SINGLE IMPELLER CENTRIFUGAL ELECTRIC PUMPS

in AISI 304

### SECTIONAL VIEW CD 70/12 - 120/07 - 120/20



### MATERIALS TABLE

| Ref. | Name                 | Materials                                   | Ref. | Name                      | Materials             |
|------|----------------------|---|------|---------------------------|-----------------------|
| 1    | Pump casing          | EN 1.4301 (AISI 304)                        | 24   | Plug                      | EN 1.4301 (AISI 304)  |
| 3    | Motor bracket        | EN 1.4301 (AISI 304)                        | 25   | Plug                      | EN 1.4301 (AISI 304)  |
| 4    | Casing cover         | EN 1.4301 (AISI 304)                        | 26   | O-Ring [2]                | NBR                   |
| 6    | Shaft                | AISI 303<br>Part in contact with the liquid | 31   | Seal disc spacer          | EN 1.4301 (AISI 304)  |
| 7    | Impeller             | EN 1.4301 (AISI 304)                        | 32   | Key                       | AISI 316              |
| 11   | Mechanical seal      | Ceramic/Carbon/NBR                          | 34   | Impeller nut              | Stainless Steel A2-70 |
| 12   | Motor frame          | -   | 36   | Motor casing              | EN 1.4301 (AISI 304)  |
| 13   | Motor cover          | Aluminium                                   | 56   | Terminal box cover gasket | NBR                   |
| 14   | Fan                  | PA  | 58   | Cable entry               | -                     |
| 15   | Fan cover            | EN 1.4301 (AISI 304)                        | 73   | Casing ring               | -                     |
| 16   | Terminal Box         | -   | 75   | Washer                    | EN 1.4301 (AISI 304)  |
| 17   | Terminal Box cover   | PA66 reinforced with fibreglass             | 76   | Washer                    | EN 1.4301 (AISI 304)  |
| 18   | Seal ring            | NBR   | 77   | O-Ring [2]                | NBR                   |
| 19   | Bearing (pump side)  | -   | 78   | O-Ring [2]                | NBR                   |
| 20   | Bearing (motor side) | -   | 93   | Seal ring                 | NBR                   |
| 21   | Adjustment ring      | Steel C70                                   | 110  | Motor protector [1]       | -                     |
| 22   | Tie-rod              | Galvanised Fe 42                            | 200  | Screw (pump body)         | Stainless Steel A2-70 |
| 23   | Capacitor [1]        | -   |      |                           |                       |

[1]= Single phase only

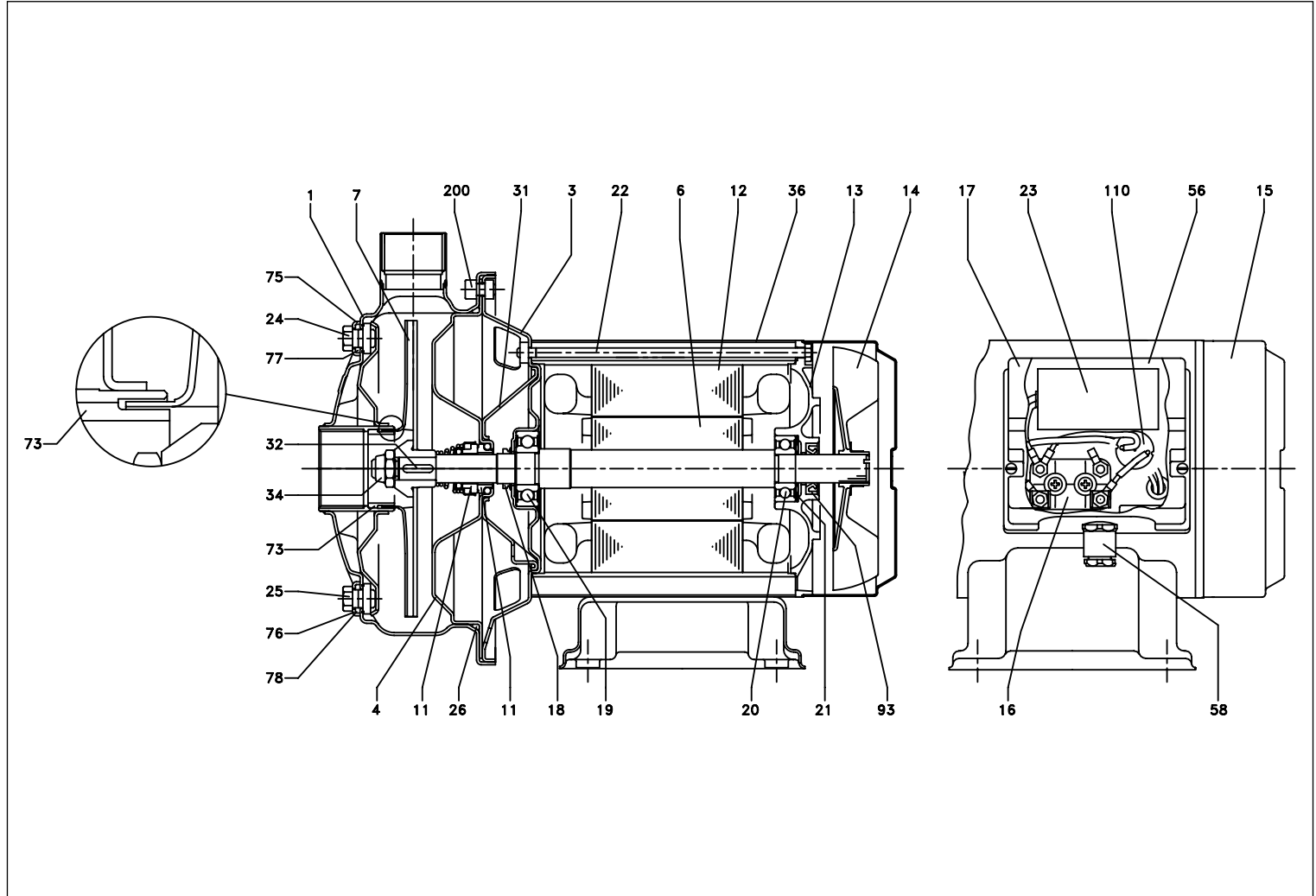
[2]= FKM for CDH-CDHS-CDHW-CDHSW

EPDM for CDE, CD Q1AEGG, CD VAEGG, CD U3U3EGG, CD Q1U3EGG, CD U3CEGG

## SINGLE IMPELLER CENTRIFUGAL ELECTRIC PUMPS

in AISI 304

### SECTIONAL VIEW CD 120/12 - 200/12 - 200/20 - 200/25



### TABLE OF MATERIALS

| Ref. | Name                 | Materials                                   | Ref. | Name                      | Materials             |
|------|----------------------|---|------|---------------------------|-----------------------|
| 1    | Pump casing          | EN 1.4301 (AISI 304)                        | 24   | Plug                      | EN 1.4301 (AISI 304)  |
| 3    | Motor bracket        | EN 1.4301 (AISI 304)                        | 25   | Plug                      | EN 1.4301 (AISI 304)  |
| 4    | Casing cover         | EN 1.4301 (AISI 304)                        | 26   | O-Ring [2]                | NBR                   |
| 6    | Shaft                | AISI 303<br>Part in contact with the liquid | 31   | Seal disc spacer          | EN 1.4301 (AISI 304)  |
| 7    | Impeller             | EN 1.4301 (AISI 304)                        | 32   | Key                       | AISI 316              |
| 11   | Mechanical seal      | Ceramic/Carbon/NBR                          | 34   | Impeller nut              | Stainless Steel A2-70 |
| 12   | Motor frame          | -   | 36   | Motor casing              | EN 1.4301 (AISI 304)  |
| 13   | Motor cover          | Aluminium                                   | 56   | Terminal box cover gasket | NBR                   |
| 14   | Fan                  | PA  | 58   | Cable entry               | -                     |
| 15   | Fan cover            | EN 1.4301 (AISI 304)                        | 73   | Double casing ring        | EN 1.4301 (AISI 304)  |
| 16   | Terminal Box         | -   | 75   | Washer                    | EN 1.4301 (AISI 304)  |
| 17   | Terminal Box cover   | PA66 reinforced with fibreglass             | 76   | Washer                    | EN 1.4301 (AISI 304)  |
| 18   | Seal ring            | NBR   | 77   | O-Ring [2]                | NBR                   |
| 19   | Bearing (pump side)  | -   | 78   | O-Ring [2]                | NBR                   |
| 20   | Bearing (motor side) | -   | 93   | Seal ring                 | NBR                   |
| 21   | Adjustment ring      | Steel C70                                   | 110  | Motor protector [1]       | -                     |
| 22   | Tie-rod              | Galvanised Fe 42                            | 200  | Screw (pump body)         | Stainless Steel A2-70 |
| 23   | Capacitor [1]        | -   |      |                           |                       |

[1]= Single phase only

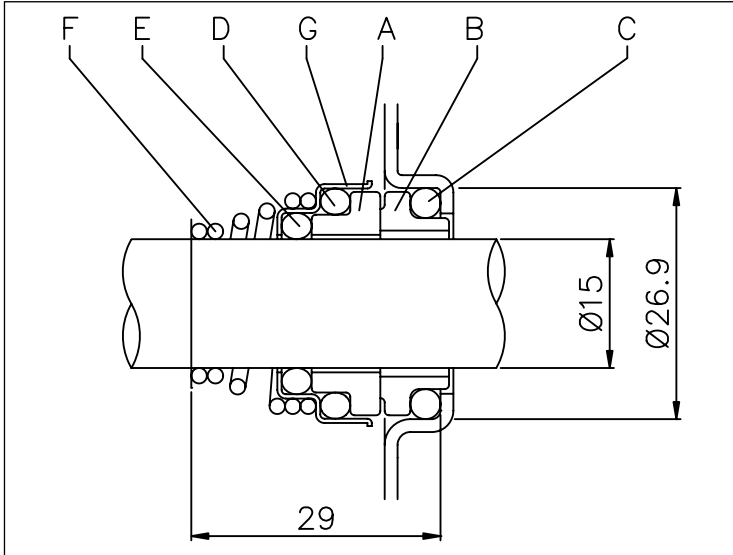
[2]= FKM for CDH-CDHS-CDHW-CDHSW

EPDM for CDE, CD Q1AEGG, CD VAEGG, CD U3U3EGG, CD Q1U3EGG, CD U3CEGG

## SINGLE IMPELLER CENTRIFUGAL ELECTRIC PUMPS

in AISI 304

### MECHANICAL SEAL standard



### MATERIALS TABLE

| Ref. | Name            | Materials |
|------|-----------------|-----------|
| A    | Rotating part   | Ceramic   |
| B    | Fixed part      | Carbon    |
| C    | O-Ring          | NBR       |
| D    | O-Ring          | NBR       |
| E    | O-Ring          | NBR       |
| F    | Spring          | AISI 316  |
| G    | Structure/frame | AISI 304  |

### SPECIAL MECHANICAL SEALS (on request)

| Ref. | Name            | Materials |                 |                  |                  |           |
|------|-----------------|-----------|-----------------|------------------|------------------|-----------|
|      |                 | H Version | HS Version      | HW Version       | HSW Version      | E Version |
| A    | Rotating part   | Ceramic   | Silicon Carbide | Tungsten Carbide | Silicon Carbide  | Ceramic   |
| B    | Fixed part      | Carbon    | Silicon Carbide | Tungsten Carbide | Tungsten Carbide | Carbon    |
| C    | O-Ring          | FKM       | FKM             | FKM              | FKM              | EPDM      |
| D    | O-Ring          | FKM       | FKM             | FKM              | FKM              | EPDM      |
| E    | O-Ring          | FKM       | FKM             | FKM              | FKM              | EPDM      |
| F    | Spring          | AISI 316  | AISI 316        | AISI 316         | AISI 316         | AISI 316  |
| G    | Structure/frame | AISI 304  | AISI 316        | AISI 316         | AISI 316         | AISI 316  |

| Ref. | Name            | Materials         |                   |                  |                  |                  |
|------|-----------------|-------------------|-------------------|------------------|------------------|------------------|
|      |                 | Q1AEGG Version    | VAEGG Version     | U3U3EGG Version  | Q1U3EGG Version  | U3CEGG Version   |
| A    | Rotating part   | Silicon Carbide   | Ceramic           | Tungsten Carbide | Silicon Carbide  | Tungsten Carbide |
| B    | Fixed part      | Metallised carbon | Metallised carbon | Tungsten Carbide | Tungsten Carbide | Special Carbon   |
| C    | O-Ring          | EPDM              | EPDM              | EPDM             | EPDM             | EPDM             |
| D    | O-Ring          | EPDM              | EPDM              | EPDM             | EPDM             | EPDM             |
| E    | O-Ring          | EPDM              | EPDM              | EPDM             | EPDM             | EPDM             |
| F    | Spring          | AISI 316          | AISI 316          | AISI 316         | AISI 316         | AISI 316         |
| G    | Structure/frame | AISI 316          | AISI 316          | AISI 316         | AISI 316         | AISI 316         |

The content of this publication should not be considered mandatory. EBARA Pumps Europe S.p.A. reserves the right to change the content without prior notice.



## SINGLE IMPELLER CENTRIFUGAL ELECTRIC PUMPS

in AISI 304

### ELECTRIC DATA TABLE

| Model             |                      | P <sub>2</sub> |      | Efficiency   |             | Capacitor       |                | Efficiency (%)  |      |      | P <sub>1</sub>    |                  | Absorbed Current [A] |                  |                  |
|-------------------|----------------------|----------------|------|--------------|-------------|-----------------|----------------|-----------------|------|------|-------------------|------------------|----------------------|------------------|------------------|
| Single phase 230V | Three phase 230/400V | [HP]           | [kW] | Single phase | Three phase | Single phase μF | Three phase V- | Three phase η % |      |      | Single phase [kW] | Three phase [kW] | Single phase 230V    | Three phase 230V | Three phase 400V |
|                   |                      |                |      |              |             |                 |                | 50%             | 75%  | 100% |                   |                  |                      |                  |                  |
| CDM 70/05         | CD 70/05             | 0,5            | 0,37 | -            | -           | 12,5            | 450            | -               | -    | -    | 0,75              | 0,68             | 3,4                  | 2,4              | 1,4              |
| CDM 70/07         | CD 70/07             | 0,75           | 0,55 | -            | -           | 16              | 450            | -               | -    | -    | 1,1               | 1,0              | 5,0                  | 3,5              | 2,0              |
| CDM 70/12         | CD 70/12             | 1,2            | 0,9  | -            | IE3         | 31,5            | 450            | 81,7            | 83,1 | 82,4 | 1,5               | 1,34             | 6,5                  | 4,3              | 2,5              |
| CDM 90/10         | CD 90/10             | 1,0            | 0,75 | -            | IE3         | 20              | 450            | 80,9            | -    | 82,1 | 1,2               | 1,05             | 5,6                  | 3,3              | 1,9              |
| CDM 120/07        | CD 120/07            | 0,75           | 0,55 | -            | -           | 16              | 450            | -               | -    | -    | 1,0               | 1,0              | 4,6                  | 3,2              | 1,85             |
| CDM 120/12        | CD 120/12            | 1,2            | 0,9  | -            | IE3         | 31,5            | 450            | 81,7            | 83,1 | 82,4 | 1,6               | 1,34             | 6,9                  | 4,3              | 2,5              |
| CDM 120/20        | CD 120/20            | 2,0            | 1,5  | -            | IE3         | 40              | 450            | 84,2            | 86,8 | 86,9 | 2,1               | 2,01             | 9,3                  | 7,1              | 4,1              |
| CDM 200/12        | CD 200/12            | 1,2            | 0,9  | -            | IE3         | 31,5            | 450            | 81,7            | 83,1 | 82,4 | 1,4               | 1,34             | 6,3                  | 4,3              | 2,5              |
| CDM 200/20        | CD 200/20            | 2,0            | 1,5  | -            | IE3         | 40              | 450            | 84,2            | 86,8 | 86,9 | 2,3               | 2,01             | 10,2                 | 7,1              | 4,1              |
| -                 | CD 200/25            | 2,5            | 1,85 | -            | IE3         | -               | -              | 86,2            | 87,0 | 86,0 | -                 | 2,55             | -                    | 8,2              | 4,7              |

### NOISE DATA TABLE

| Model             |                      | P <sub>2</sub> |      | L <sub>wa</sub> - dB(A)* |
|-------------------|----------------------|----------------|------|--------------------------|
| Single phase 230V | Three phase 230/400V | [HP]           | [kW] |                          |
| CDM 70/05         | CD 70/05             | 0,5            | 0,37 | <70                      |
| CDM 70/07         | CD 70/07             | 0,75           | 0,55 |                          |
| CDM 70/12         | CD 70/12             | 1,2            | 0,9  |                          |
| CDM 90/10         | CD 90/10             | 1              | 0,75 |                          |
| CDM 120/07        | CD 120/07            | 0,75           | 0,55 |                          |
| CDM 120/12        | CD 120/12            | 1,2            | 0,9  |                          |
| CDM 120/20        | CD 120/20            | 2              | 1,5  |                          |
| CDM 200/12        | CD 200/12            | 1,2            | 0,9  |                          |
| CDM 200/20        | CD 200/20            | 2              | 1,5  |                          |
| -                 | CD 200/25            | 2,5            | 1,85 |                          |

\* Mean value of several measurements at 1 m distance around the pump.  
Tolerance ± 2.5 dB.