

IWAKI
ELECTROMAGNETIC
METERING PUMPS

EJ-R



Global Pump, Economical Price

The EJ Series provide precise chemical injection with an economical cost.
 Universal voltage capability enables operation from 100 - 240VAC in virtually all countries.
 The EJ Series are compact, simple to operate and have outputs to 4.8L/H and a maximum pressure of 1.2MPa.



High Speed Performance

The EJ Series operate at 360 strokes-per-minute, providing high resolution chemical feed and high turndown capability. Most competitive products operate at slower speeds, resulting in slug feeding, accelerated diaphragm wear and poor feed control.

Universal Voltage

The Universal Voltage Function enables the EJ Series to operate at any AC voltage. The EJ Series also conform to global standards.

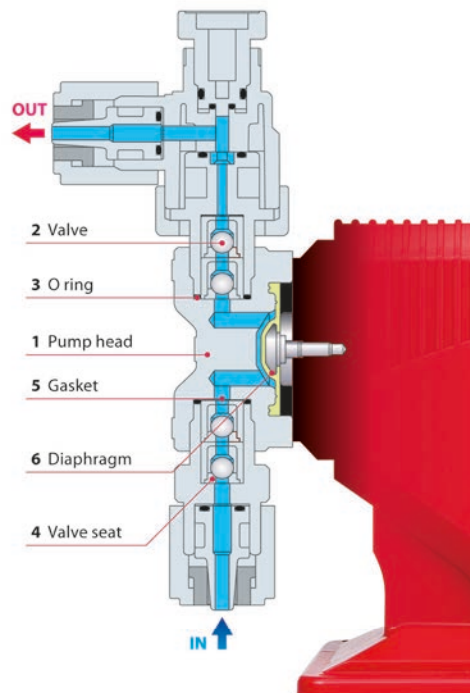
IP65 equivalent Protection

A robust housing protects the pump from normal wear. Mounting the Digital Display and Key Pad control within the drive housing creates a highly water resistant design. A clear cover further protects the pump from liquids.

Wet-end materials

Material symbol	VC	VH	TC
1 Pump head	PVC		
2 Valve	Alumina ceramic	HC276	Alumina ceramic
3 O ring	FKM	EPDM	FKM
4 Valve seat	FKM	EPDM	FKM
5 Gasket	PTFE		
6 Diaphragm	PTFE+EPDM (EPDM is not wet end)		

PVC : Transparent polyvinyl chloride
 HC276 : Hastelloy C276
 EPDM : Ethylene-propylene rubber
 PVDF : Polyvinylidene difluoride
 FKM : Fluorine-contained rubber
 PTFE : Polytetrafluoroethylene



Pump identification

EJ - B 11 VC □ E R □ - □ □

- Drive unit symbol**
Average power consumption
B: 15W
- Diaphragm diameter**
09: 8mm, 11: 10mm
16: 15mm, 21: 20mm
- Wet-end material symbol**
For details, see the table of materials.
VC, VH, TC
- Controller function code**
R: With external control
- Connection**
For details, please contact us.
- Special configuration code**
- Special version code**
- Power code**
E: European cord
A: Australian cord

Specifications

Pump

Model		B09 ^{Note}	B11	B16	B21
Max. capacity	L/H	1.14	1.8	3.0	4.8
	mL/min	19	30	50	80
Max. discharge pressure	MPa	1.2	1.0	0.6	0.3
Stroke rate	spm	1 to 360			
Power consumption	W	15			
Current (Input)	A	0.8			
Weight	kg	1.5			

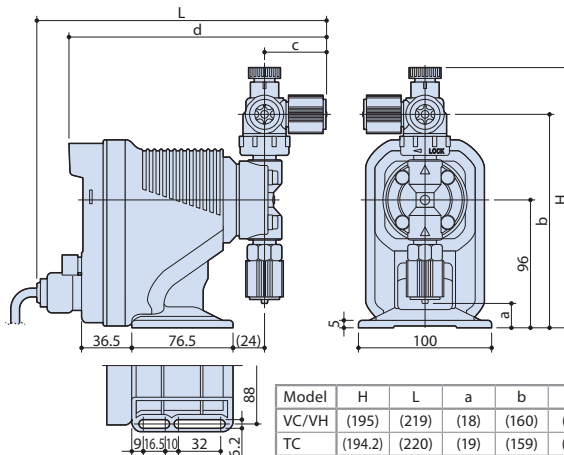
· The above information is based on pumping clean water at rated voltage and ambient temperature.
 · Flow rates were collected at the maximum discharge pressure and 360spm.
 A flow rate increases as a discharge pressure decreases.
 · Allowable ambient temperature: 0 to 40°C
 · Allowable liquid temperature: 0 to 40°C
 · Allowable power voltage deviation: ±10% of the rated voltage
 · Noise level: 65dB at 1m (A scale)
 Note: For the EJ-B09 model, only VC/VH type is available.

Controller

Operation mode	Mode	Manual
	Mode selection	EXT
Stroke rate	Setting range	1 to 360spm
	Spm programming	UP key
STOP function	Input signal	No-voltage contact or open collector ^{Note 1}
	Maximum spm	360spm
EXT mode	Pump behaviour	1 shots per signal ^{Note 2}
	Input signal	No-voltage contact or open collector ^{Note 1}
Monitors	LCD	7x3 LCD with three status codes
	LED	Green LEDx1 (blinks at each shot)
Buffer		Non-volatile memory
Power voltage ^{Note 3}		100 to 240VAC 50/60Hz

Note 1: The maximum applied voltage from the EJ to an external contact is 15V at 3mA.
 When using a mechanical relay, the minimum application load should be 3mA or below.
 Note 2: When the external pulse signal is entered to run the pump over the max spm, the signal is cancelled.
 Note 3: Observe the allowable voltage range of 90 to 264VAC. Otherwise failure may result.

Dimensions in (mm)



Optional accessories



Check valve
CAN



Back pressure valve
BVC



Multi-function valve
MFV



Foot valve
FS

· For details, please contact us.



<https://www.iwaki.de>

IWAKI Europe GmbH, Siemensring 115, 47877 Willich, Germany
 TEL: +49 2154 9254 0 FAX: +49 2154 9254 48 E-Mail: sales@iwaki.de

Caution for safety use:
 Before use of pump, read instruction manual carefully to use the product correctly.

Legal attention related to export.

Our products and/or parts of products fall in the category of goods contained in control list of international regime for export control. Please be reminded that export license could be required when products are exported due to export control regulations of countries.

Actual pumps may differ from the photos.
 Specifications and dimensions are subject to change without prior notice.
 For further details please contact us.

The posting and copying from this catalogue without permission is not accepted firmly.