



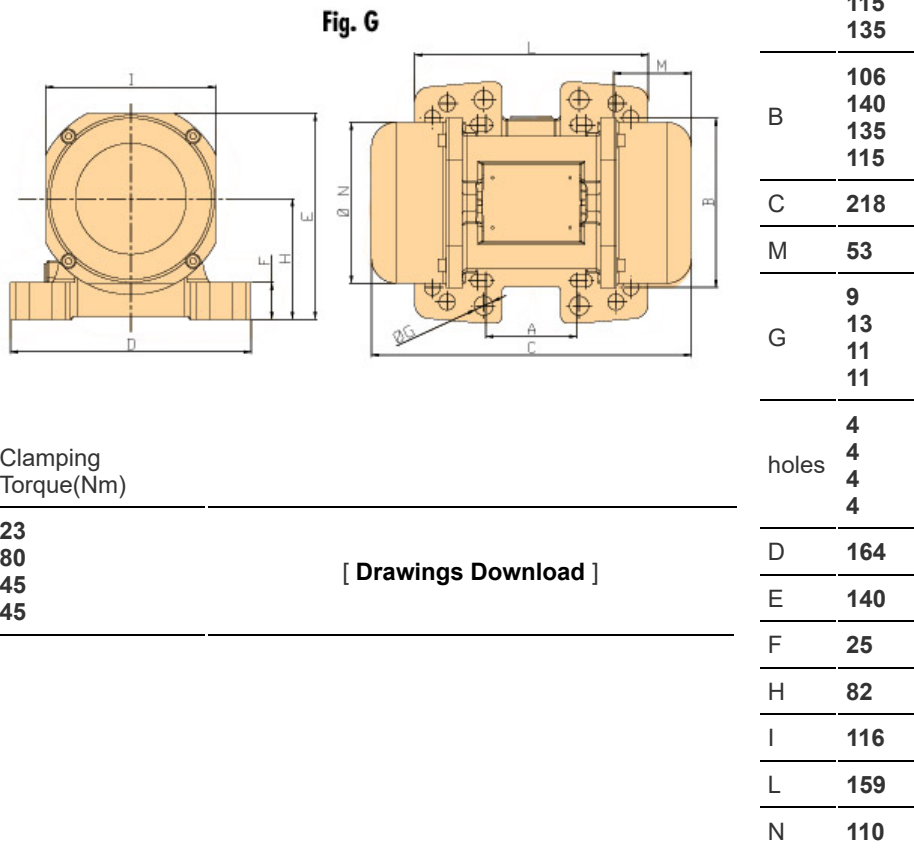
MVE 120 DC 24

Single Phase - poles - 3000 RPM - Hz
24 Volt



Mechanical Features		Electric Features	
General		General	
Working Moment	2.14 kgcm	Nominal Voltage	Δ : 24
Unbalance	1.07 kgcm	Input Power	0.11 kW
FC	117 kg	Current A Max	Δ : 4.8 A
Bearings		Power factor	
TYPE (SKF)	6302	Ia/In	5
Life(h)	100% 1844	Certification	
	80%: 3602	ATEX II 3D Ex tc IIIC Tx	T 100°
	50%: 14753	IP66	
Bearing Grease		Amb Temp.	-20 ≤ T°C ≤ + 40
Lube Schedule (g)			
Lube Replacement (g)			
Grease Type			

Dimensional Features (mm)



Clamping
Torque(Nm)

23
80
45
45

[Drawings Download]

Weight(kg)	Screw	Washer	Cable Type	Cable Glande
7.2	M8	8.4 x 16	2Gx1.5	M16x1,5
	M12	13 x 24		
	M10	10.5x20		
	M10	10.5x20		