



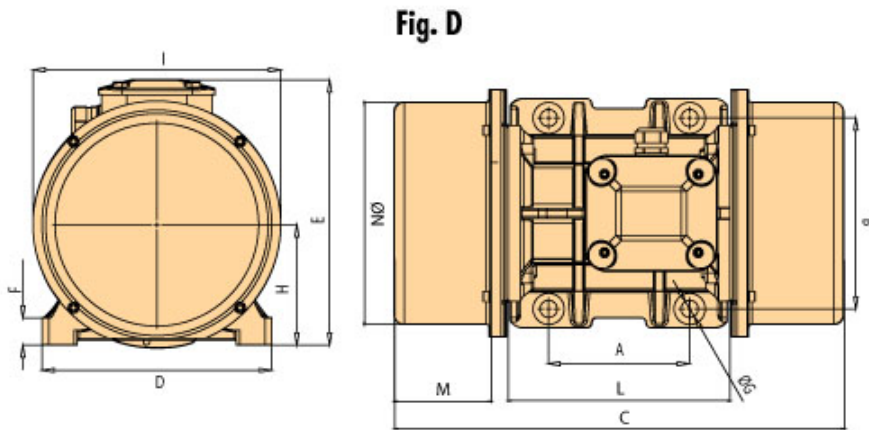
# MVE 1400/15

Three Phases - 4 poles - 1500 RPM - 50 Hz  
230/400 Volt



| Mechanical Features   |                        | Electric Features                                  |                                 |
|-----------------------|------------------------|--|---------------------------------|
| <b>General</b>        |                        | <b>General</b>                                     |                                 |
| Working Moment        | <b>108.57</b> kgcm     | Nominal Voltage                                    | <b>Δ : 230 V    Y : 400 V</b>   |
| Unbalance             | <b>54.28</b> kgcm      | Input Power  | <b>0.9</b> kW                   |
| FC                    | <b>1364</b> kg         | Current A Max                                      | <b>Δ : 2.98 A    Y : 1.71 A</b> |
| <b>Bearings</b>       |                        | Power factor                                       | <b>0.72</b>                     |
| TYPE (SKF)            | <b>NJ 2307</b>         | Ia/In  | <b>4</b>                        |
| Life(h)               | 100% <b>46444</b>      | <b>Certification</b>                               |                                 |
|                       | 80%: <b>97716</b>      | ETL CLASS II<br>DIV.II GROUP<br>F,G TENV<br>NEMA 4 | <b>T4</b>                       |
|                       | 50%: <b>&gt;100000</b> | ATEX II 3D Ex<br>tc IIIC Tx IP66                   | <b>T 135°</b>                   |
| <b>Bearing Grease</b> |                        | Amb Temp.  | <b>-20 ≤ T°C ≤ + 40</b>         |
| Lube Schedule (g)     | <b>13</b>              |  |                                 |
| Lube Replacement (g)  | <b>25</b>              |  |                                 |
| Grease Type           | <b>SKF LGHP2</b>       |  |                                 |

## Dimensional Features (mm)



|       |            |
|-------|------------|
| A     | <b>140</b> |
| B     | <b>190</b> |
| C     | <b>448</b> |
| M     | <b>98</b>  |
| G     | <b>17</b>  |
| holes | <b>4</b>   |
| D     | <b>229</b> |
| E     | <b>247</b> |
| F     | <b>30</b>  |
| H     | <b>120</b> |
| I     | <b>262</b> |
| L     | <b>220</b> |
| N     | <b>222</b> |

Clamping  
Torque(Nm)

**185**

[ [Drawings Download](#) ]

| Weight(kg)  | Screw      | Washer       | Cable Type  | Cable Glандe   |
|-------------|------------|--------------|-------------|----------------|
| <b>59.8</b> | <b>M16</b> | <b>17x30</b> | <b>4Gx4</b> | <b>M25x1,5</b> |

REV.2-03/10/2013