



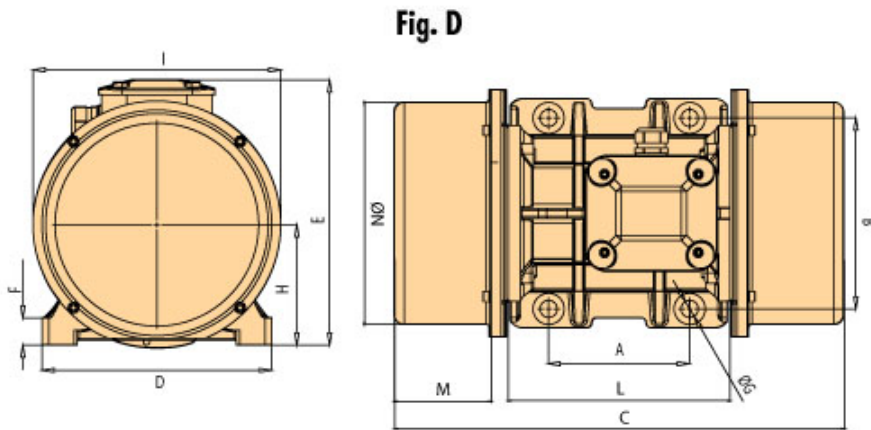
MVE 1700/15

Three Phases - 4 poles - 1500 RPM - 50 Hz
230/400 Volt



Mechanical Features		Electric Features	
General		General	
Working Moment	137.31 kgcm	Nominal Voltage	Δ : 230 V Y : 400 V
Unbalance	68.66 kgcm	Input Power	1.15 kW
FC	1725 kg	Current A Max	Δ : 3.76 A Y : 2.16 A
Bearings		Power factor	0.71
TYPE (SKF)	NJ 2307	Ia/In	4,7
Life(h)	100% 21233	Certification	
	80%: 44673	ETL CLASS II DIV.II GROUP F,G TENV NEMA 4	T4
	50%: >100000	ATEX II 3D Ex tc IIIC Tx IP66	T 135°
Bearing Grease		Amb Temp.	-20 ≤ T°C ≤ + 40
Lube Schedule (g)	13		
Lube Replacement (g)	25		
Grease Type	SKF LGHP2		

Dimensional Features (mm)



A	140
B	190
C	448
M	98
G	17
holes	4
D	229
E	247
F	30
H	120
I	262
L	220
N	222

Clamping
Torque(Nm)

185

[[Drawings Download](#)]

Weight(kg)	Screw	Washer	Cable Type	Cable Glандe
61.8	M16	17x30	4Gx4	M25x1,5

REV.2-03/10/2013