



# MVE 200/3

Three Phases - 2 poles - 3000 RPM - 50 Hz  
230/400 Volt



Mechanical Features		Electric Features	
<b>General</b>		<b>General</b>	
Working Moment	<b>3.72 kgcm</b>	Nominal Voltage	<b>Δ : 230 V    Y : 400 V</b>
Unbalance	<b>1.86 kgcm</b>	Input Power	<b>0.18 kW</b>
FC	<b>187 kg</b>	Current A Max	<b>Δ : 0.61 A    Y : 0.35 A</b>
<b>Bearings</b>		Power factor	<b>0.78</b>
TYPE (SKF)	<b>6302 2Z</b>	Ia/In	<b>3,3</b>
	<b>100% 5539</b>	<b>Certification</b>	
Life(h)	<b>80%: 10818</b>	ETL CLASS II DIV.II GROUP F,G TENV NEMA 4	<b>T4</b>
	<b>50%: 44311</b>	ATEX II 3D Ex tc IIIC Tx IP66	<b>T 100°</b>
<b>Bearing Grease</b>		Amb Temp.	<b>-20 ≤ T°C ≤ + 40</b>
Lube Schedule (g)			
Lube Replacement (g)			
Grease Type			

## Dimensional Features (mm)

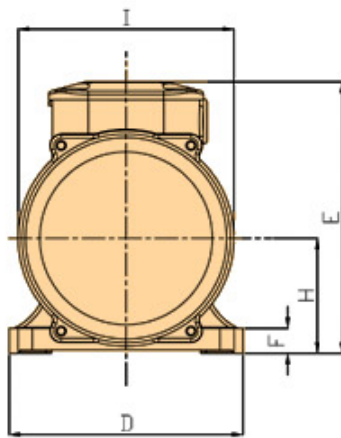
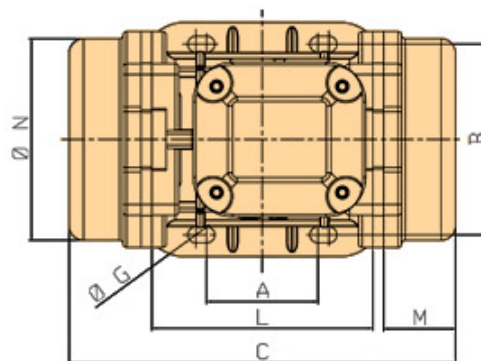


Fig. B



A	<b>62-74</b>
B	<b>106</b>
C	<b>231</b>
M	<b>54</b>
G	<b>9</b>
holes	<b>4</b>
D	<b>131</b>
E	<b>159</b>
F	<b>15</b>
H	<b>64</b>
I	<b>121</b>
L	<b>123</b>
N	<b>112</b>

Clamping  
Torque(Nm)

**23**

[ [Drawings Download](#) ]

Weight(kg)	Screw	Washer	Cable Type	Cable Glандe
<b>7</b>	<b>M8</b>	<b>8.4x16</b>	<b>4Gx2.5</b>	<b>M20x1,5</b>

REV.2-03/13/2013