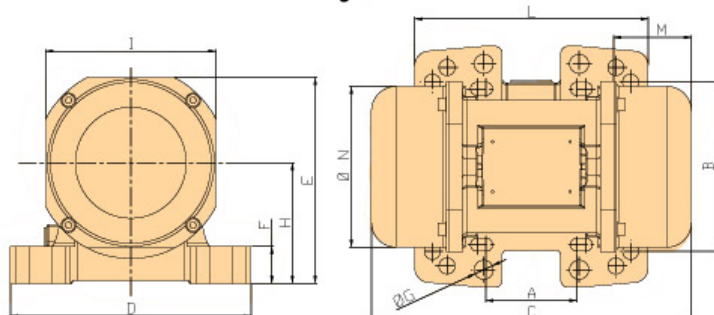


Mechanical Features		Electric Features	
General		General	
Working Moment	4.17 kgcm	Nominal Voltage	Δ : 12
Unbalance	2.08 kgcm	Input Power	0.16 kW
FC	200 kg	Current A Max	Δ : 13.3 A
Bearings		Power factor	0
TYPE (SKF)	6301-6302 2Z	Ia/In	4
	100% 3732	Certification	
Life(h)	80%: 6469	ATEX II 3D Ex tc IIIC Tx	T 100°
	50%: 30319	IP66	
Bearing Grease		Amb Temp.	-20 ≤ T°C ≤ + 40
Lube Schedule (g)			
Lube Replacement (g)			
Grease Type			

Dimensional Features (mm)

Fig. G



A	62-74
	65
	115
	135
B	106
	140
	135
	115
C	218
M	53
G	9
	13
	11
	11
holes	4
	4
	4
	4
D	164
E	140
F	25
H	82
I	116
L	159
N	110

Clamping Torque(Nm)	
23	
80	
45	
45	

[[Drawings Download](#)]

Weight(kg)	Screw	Washer	Cable Type	Cable Glante
7.2	M8	8.4 x 16	2Gx1.5	M16x1,5
	M12	13 x 24		
	M10	10.5x20		
	M10	10.5x20		